

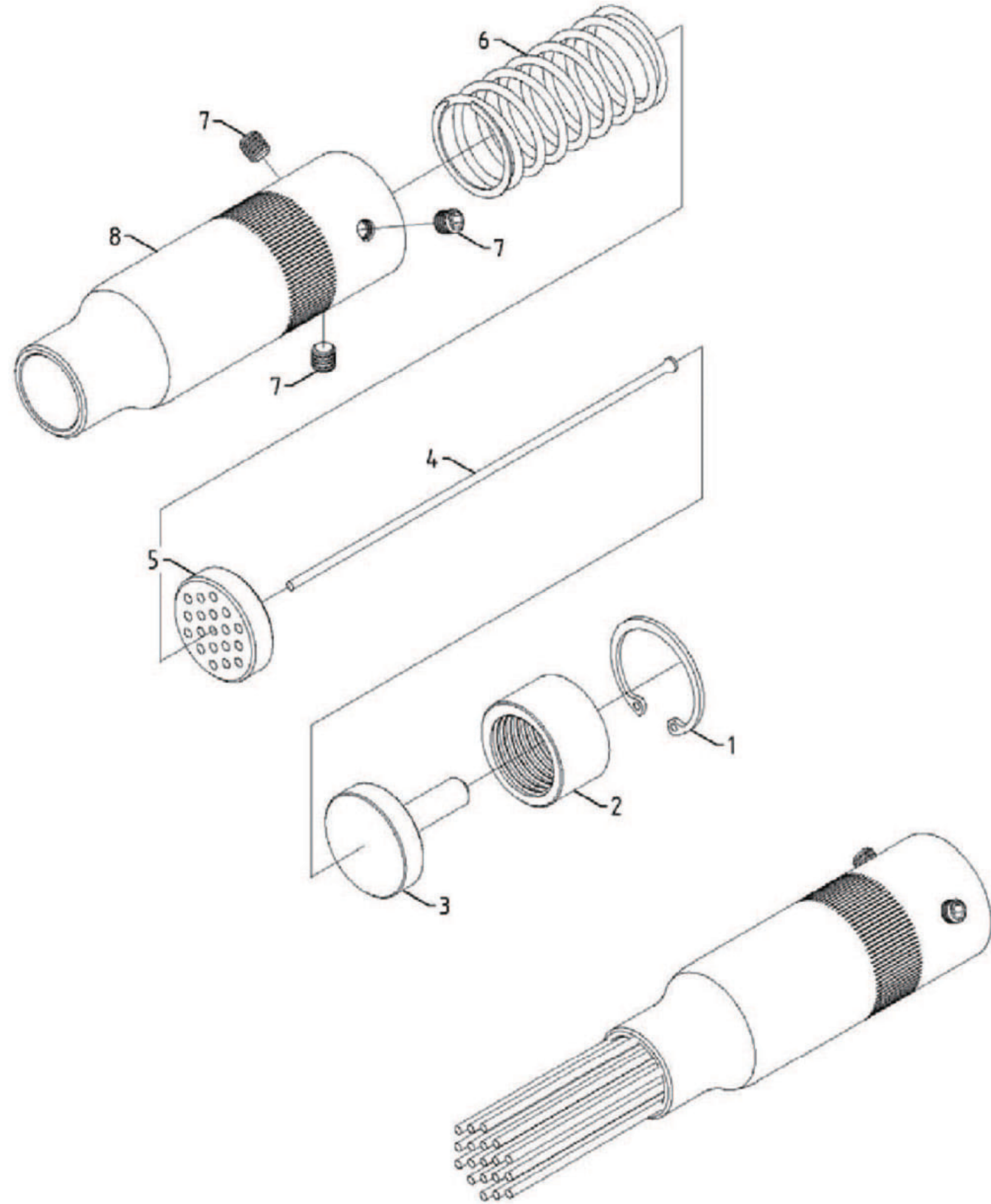


Air Needle Scaler Adaptor

Item No : SC-33C/SC-34C



● The consumable parts ▲ The replacement parts ★ The non-replacement parts



Part List SC-33C/SC-34C



NO.	INDEX NO.	DESCRIPTION	Q'TY
★	1	SC-33C/34CP01 SNAP RING(RTW-39)	1
▲	2	SC-33C/34CP02 ADAPTOR	1
●	3	SC-33C/34CP03R DRIVE(ROUND)	1
●		SC-33C/34CP03H DRIVE(HEX)	1
●	4	SC-33C/34CT04 NEEDLEØ3x19HOLES(19PCS)	1 Set
▲	5	SC-33C/34CP05 NEEDLE HOLDER(Ø3x19HOLES)	1
★	6	SC-33C/34CP06 COMPRESSION SPRING	1
★	7	SC-33C/34CT07 COMPRESSION SPRING 5/16"(3PCS)	1 Set
★	8	SC-33C/34CT08 HOUSHING	1