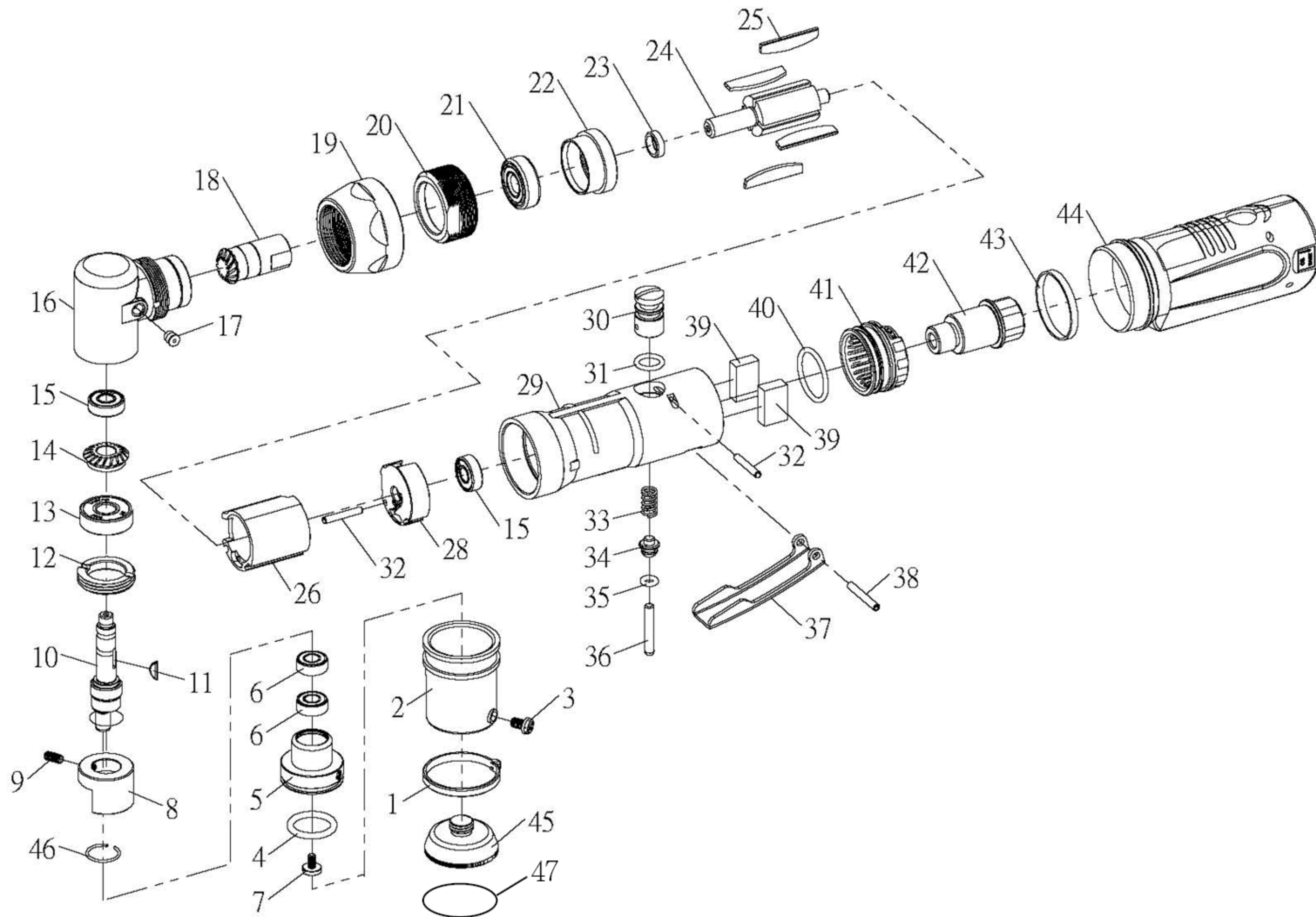




# Air Sander

## Item No : QP-111 / QP-111S

● The consumable parts ▲ The replacement parts ★ The non-replacement parts



# Part List

## Item No : QP-111 QP-111S



NO.	Index No.	Description	Q'ty	NO.	Index No.	Description	Q'ty
▲	1	QP-111P01 Girdle	1	★	24	QP-111P24 Rotor	1
★	2	QP-111P02 Rubber Cover	1	●	25	QP-111T25 Rotor Blade (4 pcs)	1 SET
★	3	QP-111P03 Screw	1	★	26	QP-111P26 Cylinder	1
▲	4	QP-111P04 O-Ring	1	★	28	QP-111P28 Rear End Plate	1
★	5	QP-111P05 Dual Lock	1	★	29	QP-111P29 Housing	1
●	6	QP-111T06 Bearing (2 pcs)	1 SET	★	30	QP-111P30 Air Regulator	1
★	7	QP-111P07 Screw	1	▲	31	QP-111P31 O-Ring	1
★	8	QP-111P08 Balance Weight	1	★	32	QP-111T32 Spring Pin (2 pcs)	1 SET
★	9	QP-111P09 Set Screw	1	★	33	QP-111P33 Valve Spring	1
★	10	QP-111P10 Spindle	1	★	34	QP-111P34 Throttle Valve	1
▲	11	QP-111P11 Woodruff Key	1	▲	35	QP-111P35 O-Ring	1
★	12	QP-111P12 Clamp Nut	1	★	36	QP-111P36 Valve Shaft	1
▲	13	QP-111P13 Ball Bearing	1	★	37	QP-111P37 Throttle Lever	1
●	14	QP-111P14 Spindle Gear	1	★	38	QP-111P38 Spring Pin	1
●	15	QP-111T15 Ball Bearing (2 pcs)	1 SET	●	39	QP-111T39 Muffler (2 pcs)	1 SET
★	16	QP-111P16 Angle Head Housing	1	▲	40	QP-111P40 O-Ring	1
★	17	QP-111P17 Grease Fitting	1	★	41	QP-111P41 Exhaust Sleeve	1
●	18	QP-111P18 Pinion	1	★	42	QP-111P42 Inter Bushing	1
★	19	QP-111P19 Coupling Nut	1	★	43	QP-111P43 Ring	1
★	20	QP-111P20 Lock Ring	1	★	44	QP-111P44 Housing Cover	1
●	21	QP-111P21 Bearing	1	●	45	QP-111P45 1" Velcro Pad	1
★	22	QP-111P22 Front End Plate	1	▲	46	QP-111P46 Retainer Ring	1
★	23	QP-111P23 Bearing Spacer	1	●	47	QP-111P47 1" Vinyl Flat Pad	1