

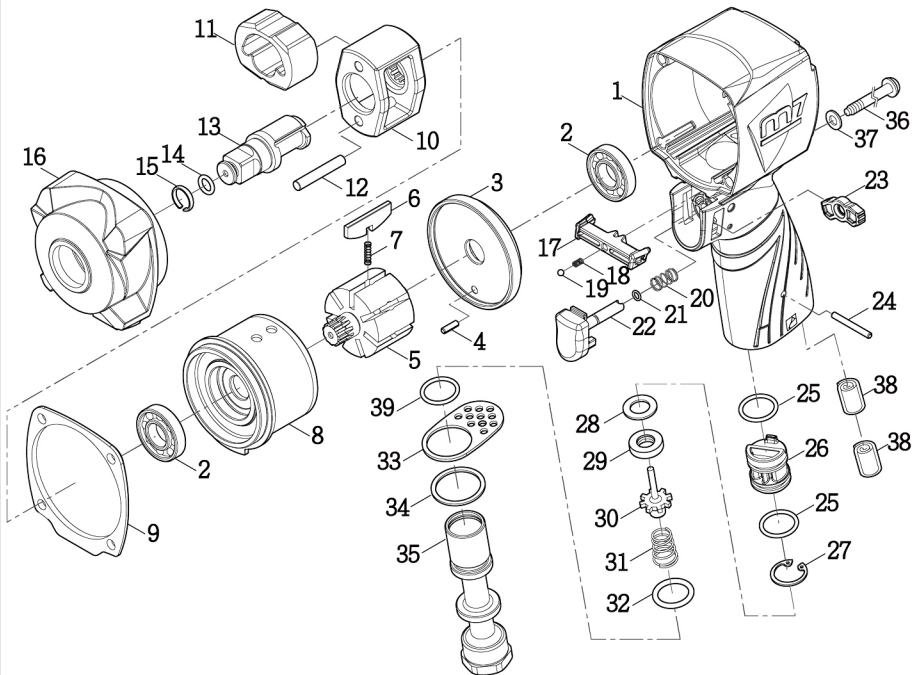


1/2" AIR IMPACT WRENCH

Item No : NC-4670Q



● The consumable parts ▲ The replacement parts ★ The non-replacement parts



Part List Jumbo Hammer Type NC-4670Q

NO.	PART NO.	DESCRIPTION	Q'TY
★	1	NC-4670P01 Housing	1
▲	2	NC-4670T02 Ball Bearing (2 pcs)	1 SET
▲	3	NC-4670P03 Front Plate	1
★	4	NC-4670P04 Spring Pin	1
★	5	NC-4670P05 Rotor	1
●	6	NC-4670T06 Rotor Blade (6 pcs)	1 SET
▲	7	NC-4670T07 Spring (6 pcs)	1 SET
★	8	NC-4670P08 Cylinder	1
▲	9	NC-4670P09 Packing	1
▲	10	NC-4670P10 Hammer Cage	1
●	11	NC-4670P11 Hammer	1
▲	12	NC-4670T12 Hammer Pin (2 pcs)	1 SET
●	13	NC-4670P13 Anvil	1
●	14	NC-4670P14 O-Ring	1
●	15	NC-4670P15 Anvil Collar	1
★	16	NC-4670P16 Front Casing	1
★	17	NC-4670P17 Reverse Lever	1
▲	18	NC-4670P18 Spring	1
★	19	NC-4670P19 Steel Ball	1
▲	20	NC-4670P20 Spring	1
▲	21	NC-4670P21 O-Ring	1
★	22	NC-4670P22 Trigger	1
★	23	NC-4670P23 Regulator Dial	1
▲	24	NC-4670P24 Spring Pin	1
▲	25	NC-4670T25 O-Ring (2 pcs)	1 SET

NO.	PART NO.	DESCRIPTION	Q'TY
★	26	NC-4670P26 Reverse Valve	1
★	27	NC-4670P27 Retaining Ring	1
★	28	NC-4670P28 Washer	1
▲	29	NC-4670P29 Oil Seal	1
★	30	NC-4670P30 Pin Valve Rod	1
★	31	NC-4670P31 Cone Spring	1
▲	32	NC-4670P32 O-Ring	1
★	33	NC-4670P33 Exhaust Deflector	1
★	34	NC-4670P34 Washer	1
★	35	NC-4670P35 Air Inlet	1
★	36	NC-4670P36 Screw	1
★	37	NC-4670P37 Washer	1
●	38	NC-4670T38 Muffler Filter (2 pcs)	1 SET
●	39	NC-4670P39 O-Ring	1
●		NC-4670T01 Standard Anvil 1/2" Ass'y (13,14,15)	1SET
★		NC-4670T03 Screw set (36,37)	1SET