

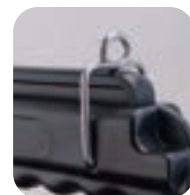
**PNEUMATIC
BRAKE BLEEDER
OPERATION MANUAL**

2L

**40-170
psi**

Working pressure

- Fast and easy operation, reduces labor costs
- Handle most standard and ABS brake system
- Collects old brake fluid without spillage
- Integrated silencer for a quieter working environment
- 1 meter silicone hose with universal rubber adapter brake fitting



• Handle trigger with lock



• New silencer



• Pour fluid hole



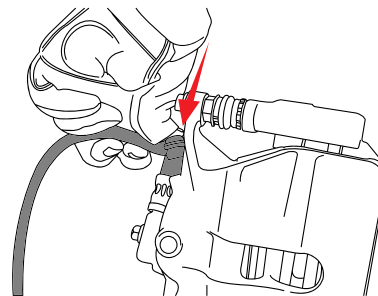
• Special joint, easy to connect



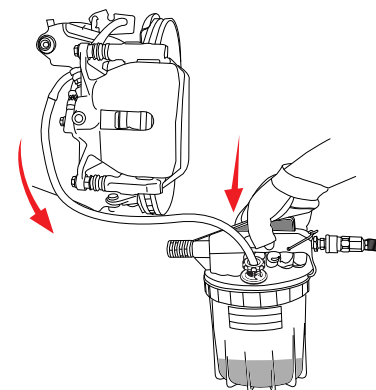
• Safety valve



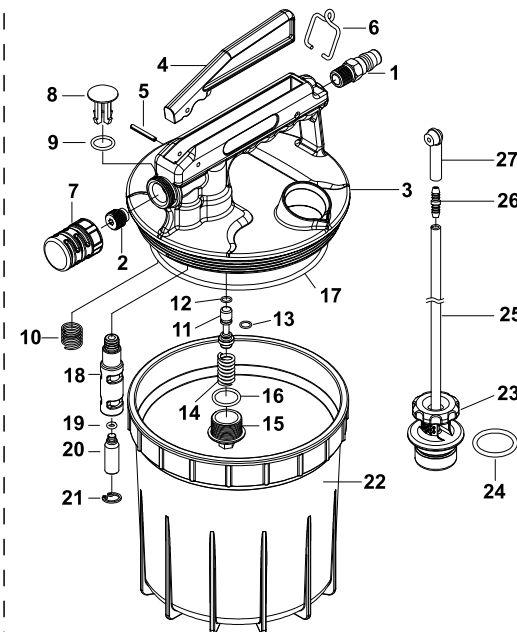
1. Check the brake nipples is clean and connect the coupler (I).



2. Connect the air line to (A) and press the trigger (C).



Contents			
A	Air inlet coupler	F	Safety valve
B	Fixing ring	G	Oil outlet cover
C	Air flow handle trigger	H	Silicon hose
D	Fluid inlet coupler	I	Brake coupler
E	Noise-reduction net		



No.	KT No.	Description
1	9TV12-02-3	Air inlet coupler
2	9TV14-02-2	Vacuum valve
3	9TV14-02-3	Cover housing
4	9TV12-02-5	Trigger
5	9TV12-02-7	Pin
6	9TV14-02-6	Fixing ring
7	9TV14-02-7	Noisc-reduction
8	9TV12-02-29	Safety valve
9	9TV12-02-28	O ring
10	9TV12-02-23	Spring
11	9TV12-02-22	Valve
12	9TV12-02-22A	O ring
13	9TV12-02-19	O ring
14	9TV12-02-21	Spring
15	9TV12-02-20	Locking screw
16	9TV12-02-20A	O ring
17	9TV14-02-17	O ring
18	9TV14-02-18	Safety valve
19	9TV12-02-17	O ring
20	9TV12-02-16	Safety cup
21	9TV14-02-21	Locker
22	9TV12-02-18	Tank
23	9TV14-02-23	Adapter
24	9TV14-02-24	O ring
25	9TV12-02-32	Silicone hose
26	9TV12-02-33	Adapter
27	9TV12-02-34	Brake coupler