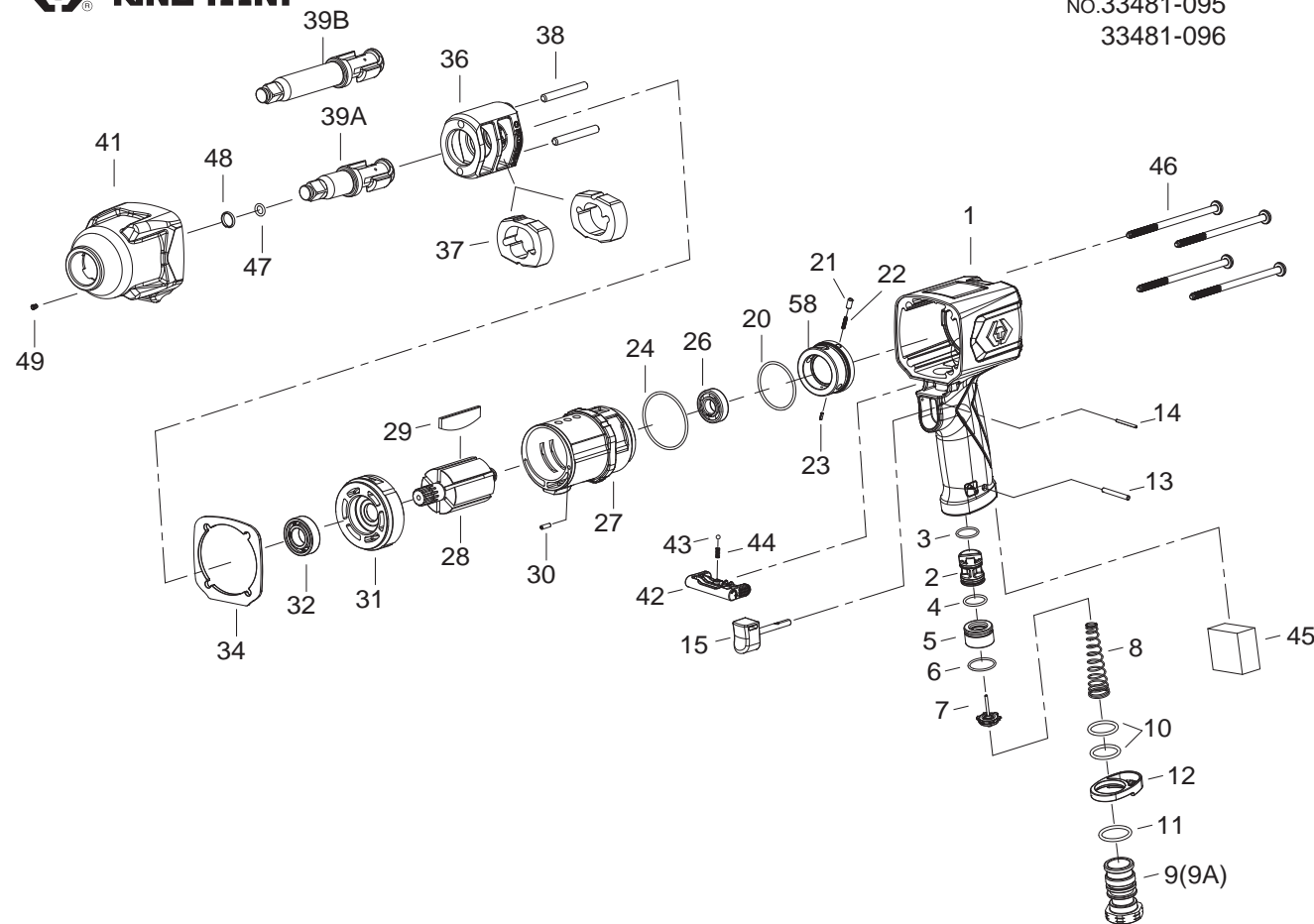


1/2" DR. AIR IMPACT WRENCH



NO.33481-095
33481-096



INDEX No.	KT No.	DESCRIPTION	REQ'D No.	INDEX No.	KT No.	DESCRIPTION	REQ'D No.
1	33481-A01	Motor housing	1	30	33481-A30	Spring pin	1
2	33481-A02	Reverse valve	1	31	33481-A31	Front end plate	1
3	33481-A03	O-ring	1	32	33411-B24	Ball bearing	1
4	33481-A04	O-ring	1	34	33481-A34	Gasket	1
5	33481-A05	Throttle valve seat	1	36	33411-B34	Hammer frame	1
6	33812-A48	O-ring	1	37	33411-A37	Hammer	2
7	33631-C03	Throttle valve assembly	1	38	33411-A35	Hammer pin	2
8	33481-A08	Spring	1	39A	33411-B43A	Standard anvil (for 33481-095)	1
9	33481-A09	Air inlet (19 BSPT)	1	39B	33411-B43B	2" Extended anvil (for 33482-095)	1
9A	33481-A09A	Air inlet (18 NPT)	1	★41	33481-A41	Hammer case assembly (incl. 49)	1
10	33481-A10	O-ring	2	42	33481-A42	Reverse knob	1
11	33481-A11	O-ring	1	43	33411-A13	Steel ball	1
12	33481-A12	Exhaust deflector	1	44	33351-A21	Steel ball spring	1
13	33351-A13	Spring pin	1	45	33481-A45	Muffler element	1
14	33481-A14	Spring pin	1	46	33481-A46	Screw	4
15	33481-A15	Trigger assembly	1	47	33411-A45	O-ring	1
20	33481-A20	O-ring	1	48	33411-A44	Socket retainer	1
21	33481-A21	Pin	1	• 49	37221-A52	Grease fitting	1
22	33481-A22	Spring	1	58	33481-A58	Reverse valve knob	1
23	33481-A23	Spring pin	1	TK1	33411-BTK3	Standard anvil assembly (incl. 39A,47,48)	
24	33481-A24	O-ring	1	TK2	33411-BTK4	2" Extended anvil assembly (incl. 39B,47,48)	
26	33481-A26	Ball bearing	1	TK3	33481-ATK1	Front end plate assembly (incl. 31,32)	
27	33481-A27	Cylinder assembly	1	TK4	33481-ATK2	Cylinder assembly (incl. 27,30)	
28	33481-A28	Rotor	1	TK	33481-ATK	Tune-up kit (incl. 3.4.6.8.10 (2),11,20,22,24,29 (6),34,43,44,45,47,48.)	
29	33411-B29	Rotor blade	6				

★ Must be purchased in assembly set

• Recommended not to be purchased alone due to assembly difficulty

20231130R3

Air pressure : 6.2 Bar (90 p.s.i)

Inspec. Item No.	Square drive inch	Std. bolt size		Free speed R.P.M	Max. torque		Overall length		Air inlet BSPT/NPT	Air hose ID	Avg. air consumption		Net weight		Sound pressure level a-weighted	Sound power level a-weighted	Sound pressure valve peak c-weighted	Vib. M/MS2
		inch	mm		ft-lbs	N.m	inch	mm			cfm	L/min	lbs	kgs				
33481-095	1/2"	1"	M24	8000	950	1288	7-3/4"	197	1/4" BSPT	3/8"	6.7	190	4.96	2.25	96.00	107.00	124.00	8.10
33481-096	1/2"	1"	M24	8000	950	1288	7-3/4"	197	1/4" NPT	3/8"	6.7	190	4.96	2.25	96.00	107.00	124.00	8.10

http : //www.kingtony.com

8933481095-KT

192x288mm



KING TONY TOOLS CO., LTD.
No. 11, Alley 150, Lane 516, Sec. 2, Hsi Nan Rd.,
Wu-Jih Dist., Taichung City, Taiwan
Tel : 886-4-2335-3567 Fax : 886-4-2335-3642

**EC DECLARATION OF CONFORMITY
FOR NON-ANNEX IV MACHINERY
IN ACCORDANCE WITH
MACHINERY SAFETY DIRECTIVES**

2006 / 42 / EC

**AIR IMPACT WRENCH
OPERATOR'S INSTRUCTION**

This air impact wrench has the CE approval

WE, KING TONY TOOLS CO., LTD. HEREBY CERTIFY THAT THE MACHINERY DESCRIBED BELOW CONFORMS WITH THE ESSENTIAL HEALTH AND SAFETY REQUIREMENTS OF MACHINERY SAFETY DIRECTIVES 2006/42/EC ON THE APPROXIMATION OF THE LAWS OF THE MEMBER STATES RELATING TO THE SAFETY OF MACHINERY,

AIR IMPACT WRENCH

33481-095

33481-096

AND COMPLY WITH THE PROVISIONS SET OUT IN THE FOLLOWING EUROPEAN STANDARD:

ISO 12100:2010 (RISK ASSESSMENT & RISK REDUCTION)

ISO 11148-6:2012 (SAFETY REQUIREMENTS)

ISO 15744:2002 (NOISE LEVEL)

ISO 28927-2:2009 (VIBRATION LEVEL)



DATE OF ISSUE: 5th February 2020

NAME: Lin Hsien-Wen

POSITION/TITLE: General manager

SIGNATURE: Lin Hsien-Wen